

## SPECIAL VENTILATOR

**Available colors BLACK and BROWN**

**Function:** They have been designed to aid the dynamic extraction of water vapor that forms between the roof slab and the waterproof roofing felt.

We recommend their use especially to ensure an efficient aeration on the ventilated roofing

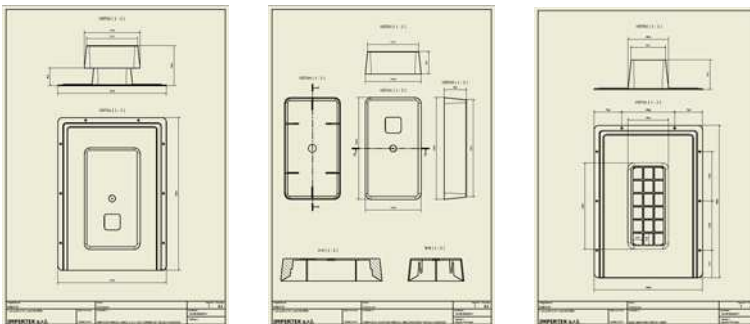
**Design:** It is a monolith product which has a rectangular plate with two reliefs on three sides and with 8 holes for the mechanical fixing with plugs and screws. The emergent side which is called dome, is the main part of the aerator. The dome has in its frontal side some hollow holes which prevent the entrance of rain-water when there is the wind. Inside of the dome there is a protective grill which prevents the entrance of small animals.

**Aeration:** It has an aerating surface of about 140 cm<sup>2</sup> . We recommend 3-4 aerators for every 100 sq mtrs

**Detail:** The aerator is produced with material resistant to the ultraviolet rays to assure its maintenance in the long-term.

**Technical date:** Resistance to deterioration by the sun, ozone and other agents or chemicals normally found in the atmosphere. The mechanical properties are maintained in the longterm. They are compatible with APP, SBS and bituminous coats.

Attachment: 3 boards

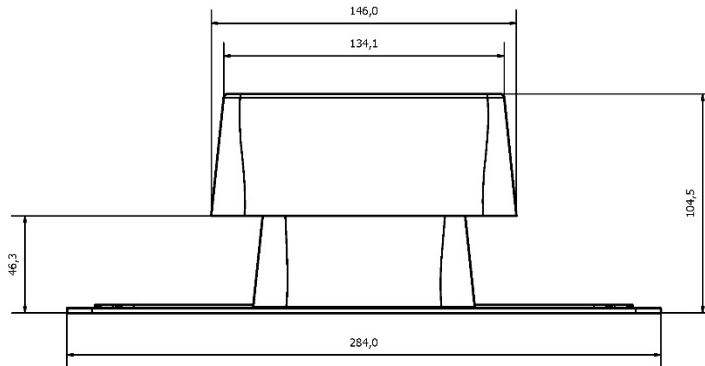




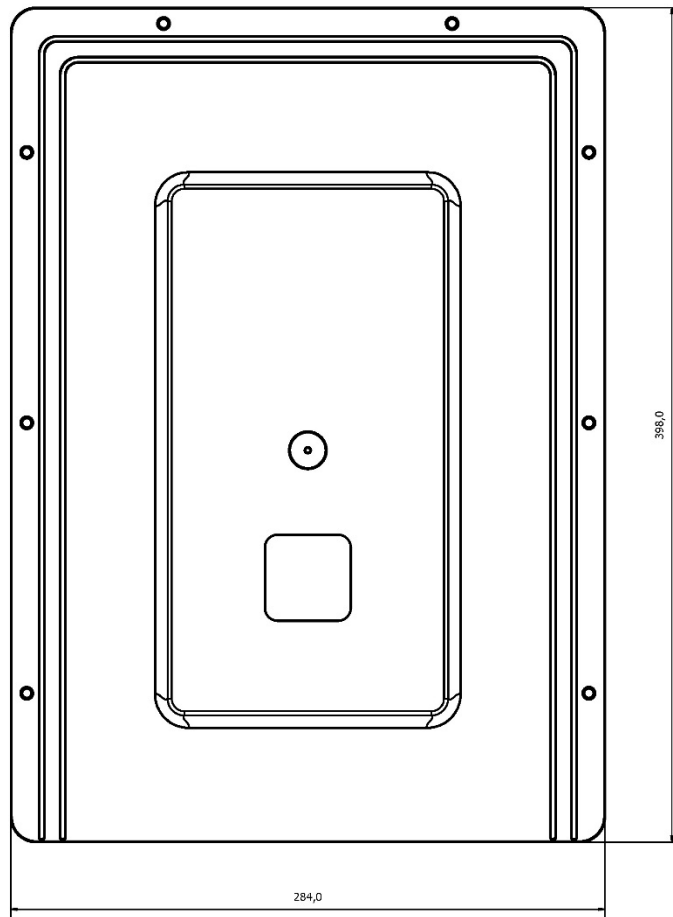
<b>TYPICAL PHYSICAL AND MECHANICAL PROPERTIES</b>						
	<i>Density</i>	<i>Rockwell Hardness</i>	<i>Degree of fluidity</i>	<i>Tensile strength</i>	<i>Elongation at yield point</i>	<i>Deformation Temperature in presence of heat</i>
			230°C/216Kg.	1mm/min	50mm/min	HDT/A 0.45N/mm <sup>2</sup>
<i>Analysis method</i>	ISO 1183	ISO 2039-2	ISO 133	ISO 527-2	ISO 527-2	ISO 75-2
<i>Applications</i>	kg/m <sup>3</sup>	Scala R	g/10 m	MPa	%	°C
<b>MCTE-001-A01-05</b>	901	76	13	1150	7	78

*Test-tubes have been obtained perpendicularity at the streamline.*

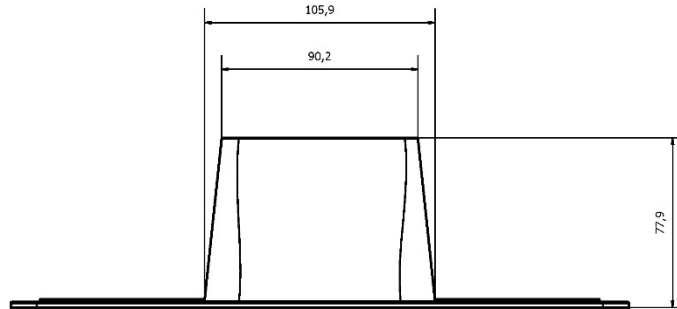
VISTA2 ( 1 : 2 )



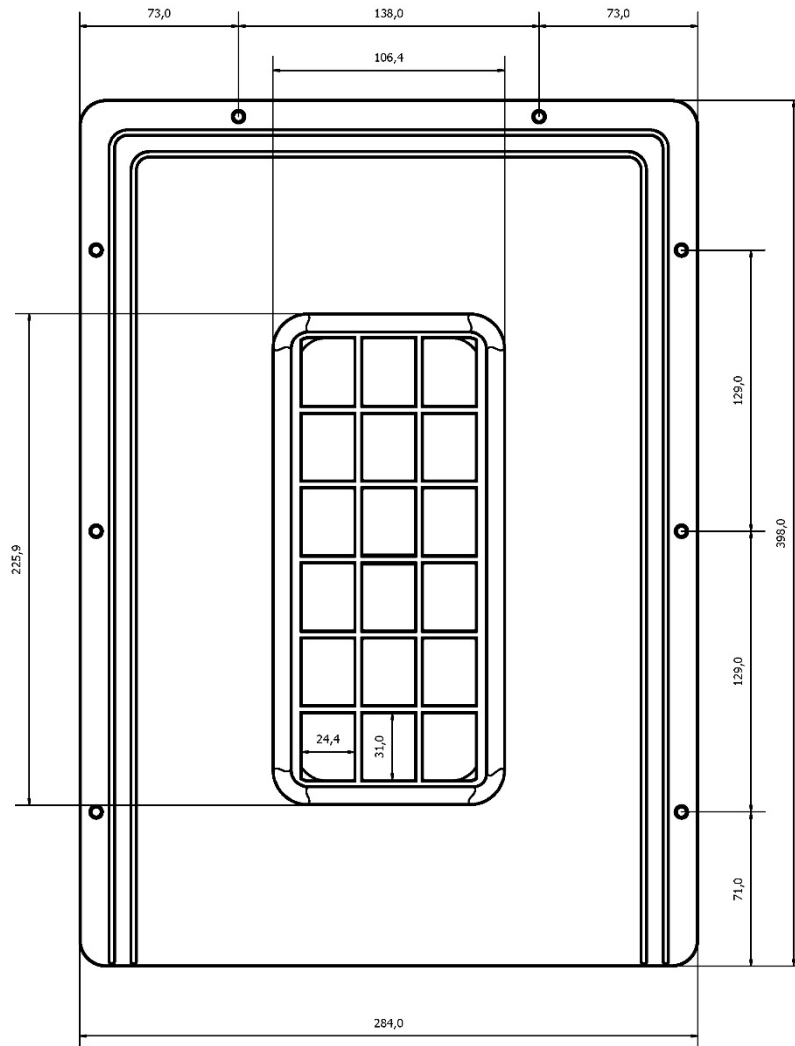
VISTA1 ( 1 : 2 )



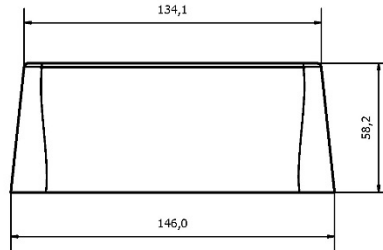
VISTA2 ( 1 : 2 )



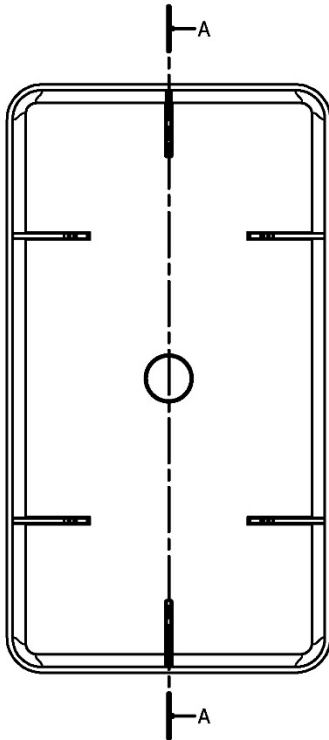
VISTA1 ( 1 : 2 )



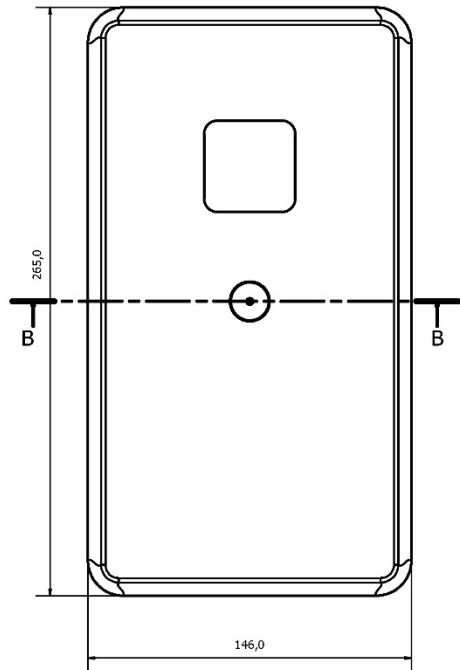
VISTA2 ( 1 : 2 )



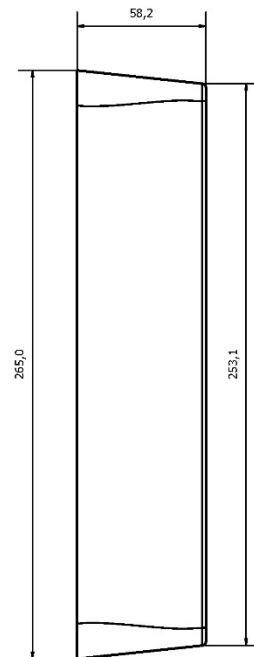
VISTA4 ( 1 : 2 )



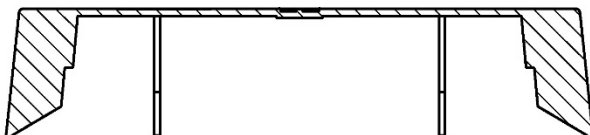
VISTA1 ( 1 : 2 )



VISTA3 ( 1 : 2 )



A-A ( 1 : 2 )



B-B ( 1 : 2 )

